

Classroom Select® Mobile Storage Drawer Cabinets

Large 1-Drawer Cabinet



Large 5-Drawer Cabinet



Transform your classroom or laboratory with a flexible, mobile, adjustable Classroom Select® Mobile Storage Drawer Cabinets. Built with deep, roomy drawers that provide extra space and high quality birch plywood for years of use. Roll the storage unit anywhere on the 4-inch casters - making them the optimal resource for your learning environments.



FEATURES

- With deep, roomy shelves and drawers, these large cabinets provide the extra space you need for supplies in classrooms, art room, or science lab
- Constructed of high quality 18mm birch plywood for long lasting durability
- Panels are finished with state-of-the-art equipment using environmentally friendly ultra-violet cured clear acrylic that's so hard and smooth it's virtually impervious to all common disinfectants and bleach solutions
- All edges are shaped and/or sanded smooth
- Arrives fully assembled

SPECIFICATIONS

CONSTRUCTION

- Constructed using 18mm birch plywood
- Assembled with strong, durable wood glue, and reinforced with 7mm screws and dowels
- Precision drilled holes for proper alignment
- Drawers uses heavy-duty epoxy coated slide for easy opening and closing
- Back panel is reinforced using steel dowels and metal locking cams for durability
- Doors and drawers are equipped with a standard 3¾" pull handle
- Heavy-duty 4" diameter casters with double rows of ball bearings and non-marring wheels

LARGE 1-DRAWER CABINET

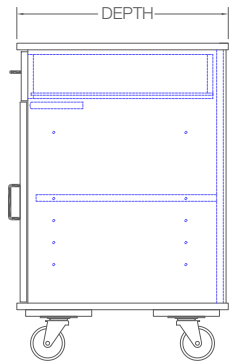
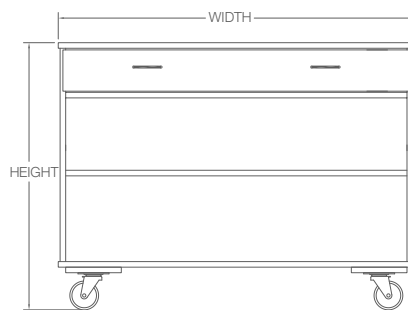
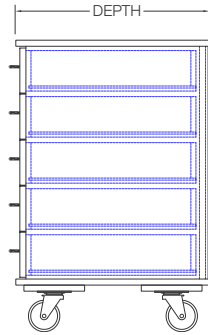
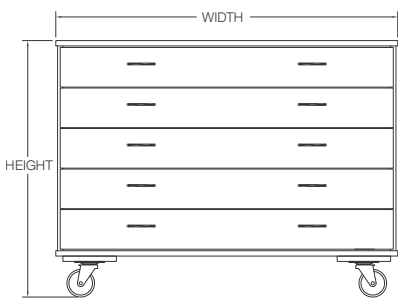
- Lower cabinet has 1 adjustable shelf measuring 46" W x 20½" D
- Inside drawer dimension is approx. 43¾" W x 19¾" D x 4³/₈" H
- Lower cabinet space is 22" H
- Kitchen quality self-closing hinges on units with doors
- Doors are held closed with double roller friction catches

LARGE 5-DRAWER CABINET

- Inside drawer dimension is approx. 43¾" W x 19¾" D x 4³/₈" H

MODELS

MODEL	ITEM #	WIDTH X DEPTH X HEIGHT (IN)
Large 1-Drawer Cabinet	1467859	48 x 24 x 36
Large 5-Drawer Cabinet	1467860	48 x 24 x 36



PRODUCT CERTIFIED FOR LOW CHEMICAL EMISSIONS:
UL.COM/GG
UL 2818