

Classroom Select® Contemporary Cantilever Desk



Laminate Top with Painted
Edge and Chrome Frame



Laminate Top with Black
Frame and LockEdge®



Set your Grade K to 12 classes up for success with the Classroom Select® Contemporary Cantilever Desk. Available in a wide variety of laminates or hard plastic desktop color options, optional LockEdge® treatment for extra protection against moisture and bacteria, and even a separately-sold book bag hook for additional floor-saving storage. This desk covers every learning space need with style and ergonomic support. The metal L-shaped cantilever leg frames are also joined at the front with two horizontal tubing bars for extra durability, and offers plenty of space below for seating with ample room to move.



FEATURES

- Create your classroom space the way you want with an exciting assortment of 31 laminate top colors including woodgrains, patterns, and solid colors and classic hard plastic top colors
- Choose from full nickel chrome frame finish or black powder coat finish
- Desk is 29½" fixed height; Desk Top is 20 x 26"
- Optional book bag hook to keep backpacks off the floor
- Easy to clean laminate or hard plastic tops with soap, water, and an optional diluted bleach solution
- Tables available in 5 LockEdge® colors, which offer fun and function with durable easy to clean edges

SPECIFICATIONS



CONSTRUCTION

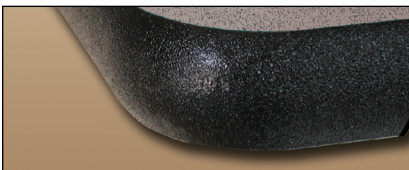
- Desktops are available in three worksurface and edge options
 - o Laminate top features a 5/8" thick MDF core with a high pressure laminate surface and phenolic backer sheet to minimize warping. Edges are sealed with a light neutral paint
 - o Laminate top is also available with a polyurethane LockEdge® that offers easier cleaning and added durability
 - o Hard plastic top is formed from 5/8" thick high-impact, solid plastic that has been molded into a homogeneous unit by heat and pressure
- High pressure laminate is made up of a wear-resistant overlay, that is impact-resistant
- High pressure laminate offers long-lasting function and performance
- LockEdge® polyurethane coating is sprayed directly on to edge surfaces, creating a permanent seal that is impervious to bacteria and moisture for easier maintenance and long-lasting durability
- Frame is formed from 1¼", 13-gauge, round tubular steel
- Each leg is one tube running side-to-side with added steel tubing support on each side

MODELS

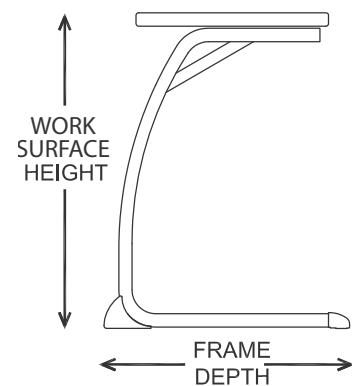
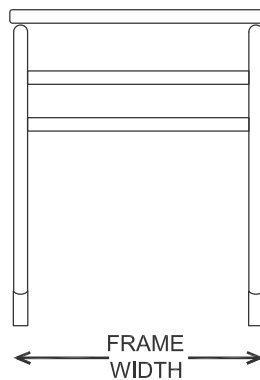
| MODEL | TOP | FRAME COLOR | ITEM # | WIDTH (IN) | DEPTH (IN) | HEIGHT (IN) |
|-----------------|----------------------------|-------------|---------|------------|------------|-------------|
| Cantilever Desk | Laminate with Painted Edge | Chrome | 1388737 | 23.5 | 19 | 29½ |
| Cantilever Desk | Hard Plastic | Chrome | 1388739 | 23.5 | 19 | 29½ |
| Cantilever Desk | Laminate with LockEdge® | Chrome | 1426973 | 23.5 | 19 | 29½ |
| Cantilever Desk | Laminate with Painted Edge | Black | 1496551 | 23.5 | 19 | 29½ |
| Cantilever Desk | Hard Plastic | Black | 1496552 | 23.5 | 19 | 29½ |
| Cantilever Desk | Laminate with LockEdge® | Black | 1496553 | 23.5 | 19 | 29½ |

ACCESSORIES

| MODEL | ITEM NUMBER | IMAGE |
|----------------------|-------------|---|
| Chrome Book Bag Hook | 1511985 |  |
| Black Book Bag Hook | 1511986 |  |



Extra-durable LockEdge® coating is sprayed on, creating a permanent seal that is impervious to bacteria and moisture

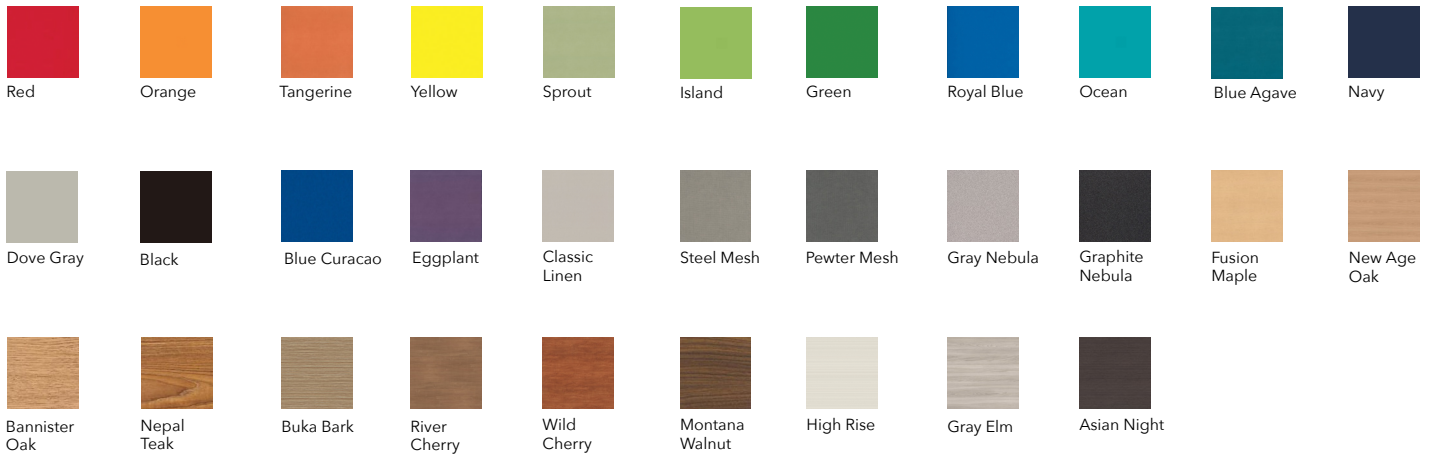


FINISH OPTIONS

HARD PLASTIC DESK TOPS



LAMINATE



LOCKEDGE® COLORS



FRAME COLORS



PRODUCT CERTIFIED FOR LOW CHEMICAL EMISSIONS:
UL.COM/GG
UL 2818