

Classroom Select[®] Universal Chair Dolly

Adjustable-Height Chair Dolly



Adjustable-Height Chair Dolly with Chairs



Stack, store, and swiftly move multiple chairs throughout your school with the Classroom Select[®] Universal Chair Dolly. Equipped to fit any stackable chairs from our Classroom Select[®] or Royal Seating[®] furniture line, this dolly's tubular steel cradle base adjusts up or down as needed with the attached chain to securely hold a few to a dozen or more nested chairs at a time. Whether partially or fully loaded, two heavy-duty wheels roll the entire unit with ease across any indoor/outdoor terrain for safe transportation.



FEATURES

- Includes an easy-to-use, adjustable chain and tubular steel cradle with a white plastic sleeve that prevents “scraping” during up and down movement
- Safely supports a stack of chairs in any style and in sizes ranging from 8" to 20" seat heights
- Arrives fully assembled

SPECIFICATIONS

CONSTRUCTION

- Constructed from 1½", 18-gauge, round tubular steel, with durable, black powdercoat finish
- Includes two 10" diameter, heavy-duty, pneumatic rubber wheels that can easily transport heavy loads and provide optimum control over a variety of surfaces



Adjust the Tubular Steel Cradle Height to Support Chairs from 8" to 20" Seat Heights



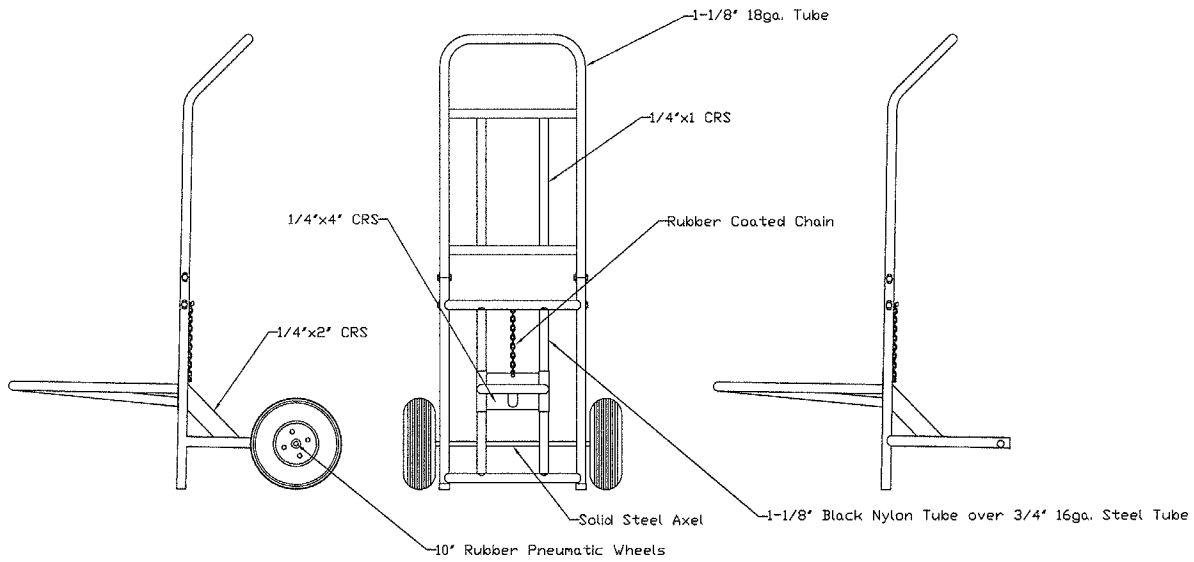
Large Pneumatic Rubber Wheels Offer Easy Transporting Over a Variety of Surfaces



Transport Any Chair Style with This Easy-to-Use Dolly

MODELS

MODEL	ITEM #	DIMENSIONS W X D X H (IN)
Universal Chair Dolly	1496629	24 x 36 x 50



PRODUCT CERTIFIED
FOR LOW CHEMICAL
EMISSIONS:
UL.COM/GG
UL 2818