

Classroom Select® Traditional Four Leg Chair



Chrome Frame



Black Frame



Back of Traditional Chair



Stackable

Save classroom space with our traditional, lightweight chairs that are created with soft polypropylene and sturdy 18-gauge tubular steel legs. Available in six popular heights which, conveniently, stack up to 10 chairs high. Keep your students comfortable, and your teaching space flexible, with this traditional chair for grades K-12.



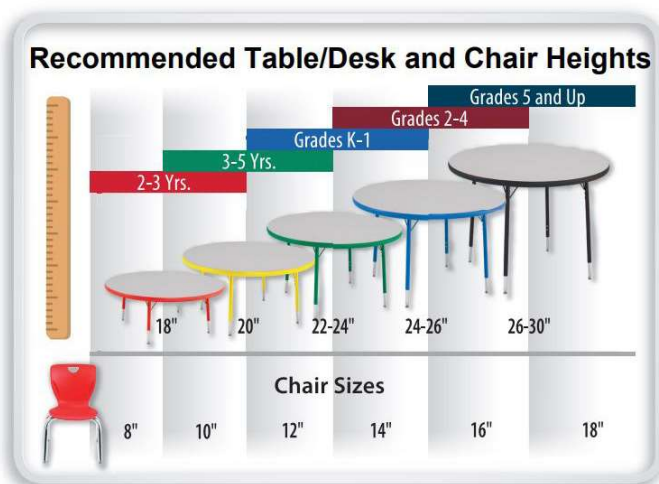
FEATURES

- A waterfall seat edge reduces pressure points and promotes better circulation to enhance ergonomic comfort
- Shell is reinforced with ribs that allows greater flexibility at the upper back while still supporting the lower back
- Tapered opening in back eliminates pressure and provides lower back comfort
- Available in 10 classic colors, 2 frame colors and 4 types of glides
- Optional field installed book baskets available for 20"A+, 18.5"A+ chair sizes
- Easy to clean with soap, water, and an optional diluted bleach solution
- Stack chairs up to 10 high and save on storage space
- Quickship available for select sizes and colors
- Ships assembled

SPECIFICATIONS

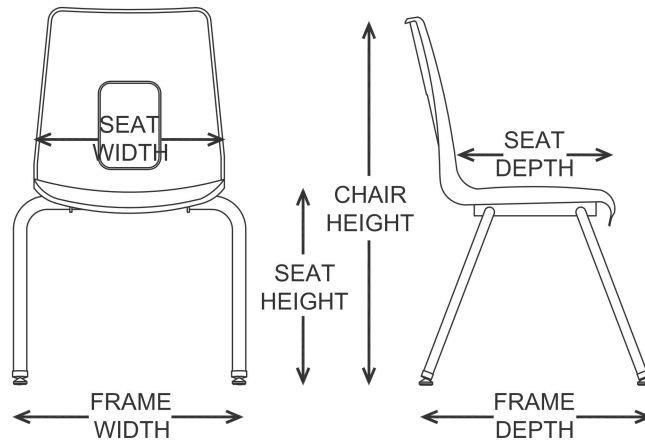
CONSTRUCTION

- One-piece, injection-molded, polypropylene shell with a double contoured seat
- Chair frames are constructed from 1¹/₈", 18-gauge tubular steel
- Seat is attached to the frame on the underside of the seat with six steel rivets
- No exposed hardware on the surface
- Frames with A+ shells, are formed from 16-gauge tubular steel
- Shell is made of long lasting, durable polypropylene



MODEL

MODEL	ITEM NUMBER	SHELL SIZE	SEAT HEIGHT (IN)	CHAIR HEIGHT (IN)	SEAT WIDTH (IN)	SEAT DEPTH (IN)	FRAME WIDTH (IN)	FRAME DEPTH (IN)
20.5 in A+ Chair- Chrome Frame	1441872	Extra Wide	20.5	34.5	14	15	23.25	26
20.5 in A+ Chair - Black Frame	1441873	Extra Wide	20.5	34.5	14	15	23.25	26
18.5in A+ Chair - Chrome Frame	1357315	Extra Wide	18.5	33.5	14	15	21.5	21.5
18.5 in A+ Chair - Black Frame	1395302	Extra Wide	18.5	33.5	14	15	21.5	21.5
17.5 in Chair - Chrome Frame	1357316	Standard	17.5	31	13	14	19	21
17.5 in Chair - Black Frame	1395301	Standard	17.5	31	13	14	19	21
15.5 in Chair - Chrome Frame	1357317	Medium	15.5	26.5	11.25	12	18	19.5
15.5 in Chair - Black Frame	1395300	Medium	15.5	26.5	11.25	12	18	19.5
13.5 in Chair - Chrome Frame	1357318	Small	13.5	24	10	10.25	16	16.5
13.5 in Chair - Black Frame	1425582	Small	13.5	24	10	10.25	16	16.5
11.5 in Chair - Chrome Frame	1357319	Small	11.5	22	10	10.25	15.5	14.5
11.5 in Chair - Black Frame	1415401	Small	11.5	22	10	10.25	15.5	14.5



SHELL COLOR OFFERINGS

SEAT COLORS



Sunflower
(Yellow)



Claret
(Burgundy)



Cardinal
(Red)



Marine
(Royal Blue)



Imperial
(Navy Blue)



Shamrock
(Green)



Forest
(Hunter Green)



Almond
(Beige)



Slate
(Gray)



Ebony
(Black)

FRAME COLORS



Chrome



Black

GLIDE OPTIONS



Nylon -
Tile & Carpet



Steel -
Carpet



Felt -
Tile & Wood



Rubber -
Tile & Wood

OPTIONAL GLIDE CAPS



Nylon -
Tile & Carpet



Steel -
Carpet

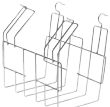
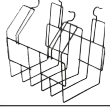



Felt -
Tile & Wood



Rubber -
Tile & Wood

ACCESSORIES

MODEL	ITEM NUMBER	IMAGE
Chrome Wire Book Basket *Only available for 20 A+, 18 A+, and 18	1362135	
Black Wire Book Basket *Only available for 20 A+, 18 A+, and 18	1441265	
Adjustable Height Chair Dolly	1496629	



PRODUCT CERTIFIED
FOR LOW CHEMICAL
EMISSIONS:
UL.COM/GG
UL 2818