

Classroom Select® Royal Seating® 1100 Four Leg Chair with Ball Glides



Stackable



Chrome Frame



Black Frame



Matching Frame



Back of Chair



This chair on smooth non-marring ball glides allows students to easily move across carpeted areas in the classroom, all while helping them maintain proper posture. From the wing-like contoured V-back for resting the shoulder blades, down to the cooling triangular cutout by the hips and a waterfall seat edge to reduce leg fatigue, this ergonomic chair keeps every body at ease (with the perks of being able to easily move around!). Top that with a sleek, easy-clean polypropylene shell and no worries of hair or clothing catching on non-exposed safety hardware, and this mobile chair is a must-have flexible seating option for PreK to Grade 4 classrooms.



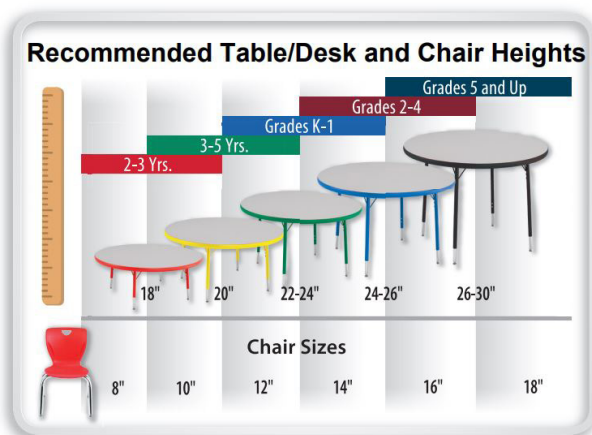
FEATURES

- A waterfall seat edge reduces pressure points and promotes better circulation to enhance ergonomic comfort
- Shell is reinforced with ribs that allows greater flexibility at the upper back while still supporting the lower back
- Design promotes correct seating posture. V-Back in chair provides ventilation for hips and spinal relief
- Non-marring ball glides are quiet and easy to move on carpeted surfaces, glides match seat color
- Available in 5 classic shell colors
- Available in nickel-plated chrome, black powdercoat, or 5 matching finishes
- Easy to clean with soap, water, and an optional diluted bleach solution
- Stack chairs up to 10-12 high and save on storage space
- Ships assembled

SPECIFICATIONS

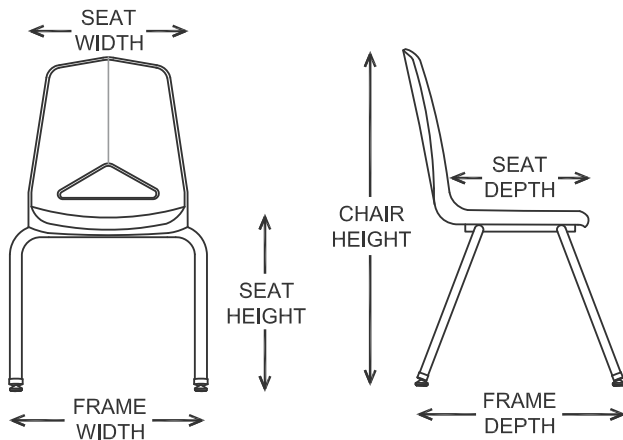
CONSTRUCTION

- One-piece, injection-molded, polypropylene shell with a double contoured seat
- Chair frames are constructed from 1¹/₈" , 18-gauge tubular steel
- Brackets are constructed of 13-gauge formed steel
- Nickel-plated chrome or black powdercoat finishes assure long-lasting durability
- Seat is attached to the frame on the underside of the seat with six steel rivets
- No exposed hardware on the surface to prevent tearing or snagging of clothes
- Shell is made of long lasting, durable polypropylene



MODEL

MODEL	ITEM NUMBER	SHELL SIZE	SEAT HEIGHT (IN)	CHAIR HEIGHT (IN)	SEAT WIDTH (IN)	SEAT DEPTH (IN)	FRAME WIDTH (IN)	FRAME DEPTH (IN)
16 in Chair - Chrome Frame with Ball Glides	1478916	Standard	16	28	12	12	16	17.25
16 in Chair - Black Frame with Ball Glides	1478184	Standard	16	28	12	12	16	17.25
16 in Chair - Matching Frame with Ball Glides	1477480	Standard	16	28	12	12	16	17.25
14 in Chair - Chrome Frame with Ball Glides	1458244	Medium	14	23.5	10.5	9.5	14.5	17
14 in Chair - Black Frame with Ball Glides	1478182	Medium	14	23.5	10.5	9.5	14.5	17
14 in Chair - Matching Frame with Ball Glides	1458245	Medium	14	23.5	10.5	9.5	14.5	17
12 in Chair - Chrome Frame with Ball Glides	1458242	Small	12	21.75	9.5	9.5	14.5	16.25
12 in Chair - Black Frame with Ball Glides	1478181	Small	12	21.75	9.5	9.5	14.5	16.25
12 in Chair - Matching Frame with Ball Glides	1458243	Small	12	21.75	9.5	9.5	14.5	16.25
10 in Chair - Chrome Frame with Ball Glides	1458240	Small	10	19	9.5	9.5	14	14.5
10 in Chair - Black Frame with Ball Glides	1478180	Small	10	19	9.5	9.5	14	14.5
10 in Chair - Matching Frame with Ball Glides	1458241	Small	10	19	9.5	9.5	14	14.5
8 in Chair - Chrome Frame with Ball Glides	1478179	Small	8	17	9.5	9.5	13.5	14
8 in Chair - Black Frame with Ball Glides	1476997	Small	8	17	9.5	9.5	13.5	14
8 in Chair - Matching Frame with Ball Glides	1477001	Small	8	17	9.5	9.5	13.5	14



Secure Frame Attachment



Available with Matching Color Frame

SHELL COLOR OFFERINGS

SEAT COLORS



Sunflower
(Yellow)



Cardinal
(Red)



Marine
(Royal Blue)



Shamrock
(Green)



Almond
(Beige)

FRAME COLORS



Chrome



Black



Sunflower
(Yellow)



Cardinal
(Red)



Marine
(Royal Blue)




Shamrock
(Green)



Almond
(Beige)

ACCESSORIES

MODEL	ITEM NUMBER	IMAGE
Adjustable Height Chair Dolly	1496629	



PRODUCT CERTIFIED
FOR LOW CHEMICAL
EMISSIONS:
UL COM/IGG
UL 2818