

# Classroom Select® NeoClass® Sled Base Stacking Chair



With front-to-back steel legs and rounded radius corners, the Classroom Select® NeoClass® Sled Base Stacking Chair is easy to store, sit in for long durations of time, and move easily across any classroom floor...even carpet. Moving ease aside, a polypropylene molded seat keeps every Grade 5 or older student's spine naturally aligned and less prone to slouching (and back sweat) with two shell cutouts that provide both cooling air flow and a secure hand grip for moving and rearranging this chair through any activity. Between transition times or when the school day is done, this chair's smooth shell back is also a breeze to wipe down.



## FEATURES

- Ergonomics meets versatility with the sleek, injection-molded, polypropylene shell
- The polypropylene molded seat and back provide optimal support and comfort
- A waterfall seat edge reduces pressure points and promotes better circulation to enhance ergonomic comfort
- Two handle openings on the top and bottom of the shell boost airflow and enhance portability
- A convenient hand hold offers easy movement and stacking
- Choose from an array of 22 vibrant polypropylene colors for overall room color coordination
- 18" chair pairs perfectly with our SimpleStack™ Stackable Desks
- Available in 18" standard seated height or 30" bistro height options
- Chairs provide a wider, more accommodating seat size
- Stack chairs up to 20 high and save on storage space
- The smooth back design offers easier cleaning maintenance
- Easy to clean with soap, water, and an optional diluted bleach solution
- Ships assembled

## SPECIFICATIONS

### CONSTRUCTION

- Chrome finished sled base frame is formed from a durable ¾", 16-gauge tubular constructed steel
- Steel tubing runs from the front to the back of the seat with radius corners on front and rear for easy sliding on carpeted surfaces
- Chairs come standard with protective rounded polyethylene glides to protect floors and can be used for ganging purposes
- Glides are removable in the field for smooth flooring transition
- Frame available in nickel-plated chrome finish assure long-lasting durability
- Shell is made of long lasting, durable polypropylene

## MODEL

ITEM #	SEAT HEIGHT (IN)	CHAIR HEIGHT (IN)	SEAT WIDTH (IN)	SEAT DEPTH (IN)	FRAME WIDTH (IN)	FRAME DEPTH (IN)	FRAME COLOR
18" Sled Base Standard Chair	18"	33	17.75	17	20	22	Chrome
30" Sled Base Standard Chair	30"	44.5	17.75	17	20	22	Chrome

## FINISH

### SEAT COLORS



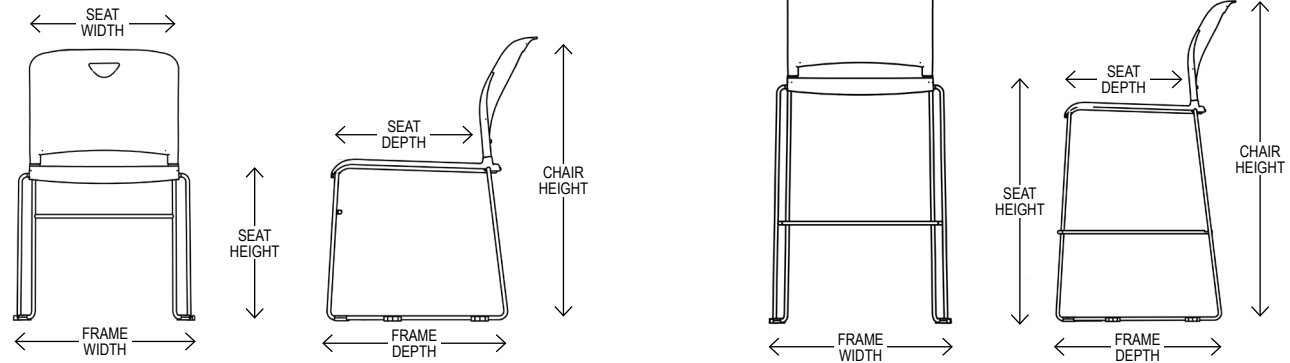
### FRAME COLORS




Chrome

Bistro

Standard



## ACCESSORIES

MODEL	ITEM NUMBER	IMAGE
Adjustable Height Chair Dolly	1496629	



PRODUCT CERTIFIED  
FOR LOW CHEMICAL  
EMISSIONS:  
UL COM/IGG  
UL 2818