

# Classroom Select® NeoClass® Sled Base Chair

Chrome Frame



Black Frame



With curvy front-to-back steel legs and rounded radius corners, the Classroom Select® NeoClass® Sled Base Chair scoots seamlessly across carpet for active kindergarteners during circle time to high school students collaborating on a group project. Moving ease aside, a contoured seat—available in 18" A+ or 20" A+ sizes for extra height and width—keeps every student's spine naturally aligned and less prone to slouching (and back sweat) with two shell cutouts that provide both cooling air flow and a secure hand grip for moving and rearranging this chair through any activity. Between transition times or when the school day is done, this chair's smooth shell back is also a breeze to wipe down.



## FEATURES

- Ergonomics meets versatility with the sleek, injection-molded, polypropylene shell
- The contoured shell provides extra lumbar support, while the smooth back design offers easier cleaning maintenance
- A waterfall seat edge reduces pressure points and promotes better circulation to enhance ergonomic comfort
- Two handle openings on the top and bottom of the shell boost airflow and enhance portability
- Chairs in 18"A+ or 20"A+ seat heights provide a wider, more accommodating shell size
- Sleek, smooth-back shell design offers easy maintenance
- Easy to clean with soap, water, and an optional diluted bleach solution
- An optional field installed wire book basket is available for 18", 18"A+ and 20"A+ chairs
- Stack chairs up to 8 high and save on storage space
- Ships assembled

## SPECIFICATIONS

### CONSTRUCTION

- Sled base frame is formed from  $\frac{3}{4}$ ", 16-gauge tubular steel
- Steel tubing runs from the front to the back of the seat with radius corners on front and rear for easy sliding on carpeted surfaces
- Seat supports are die-formed from two 14-gauge steel support braces with a continuous weld to conceal seat rivets
- Nickel-plated chrome or black powder coat finishes assure long-lasting durability
- Shell is made of long lasting, durable polypropylene

## MODEL

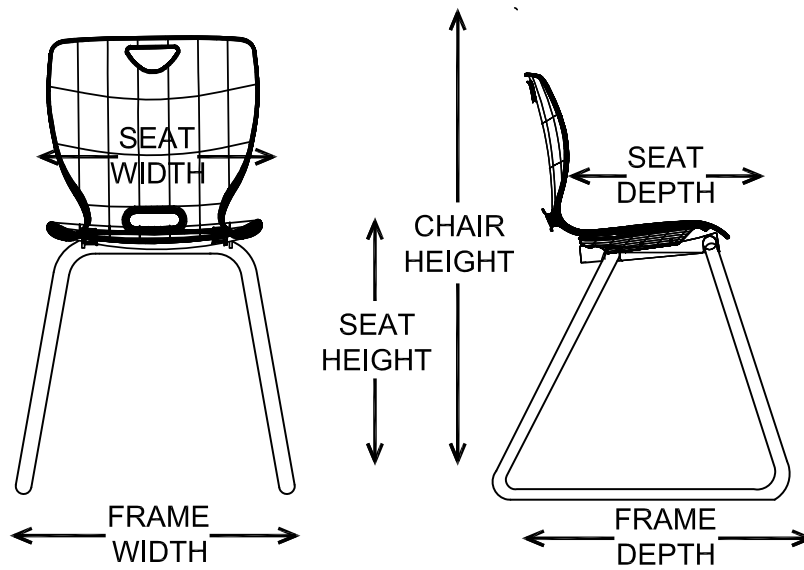
ITEM #	SHELL SIZE	SEAT HEIGHT (IN)	CHAIR HEIGHT (IN)	SEAT WIDTH (IN)	SEAT DEPTH (IN)	FRAME WIDTH (IN)	FRAME DEPTH (IN)	FRAME COLOR
1496353	20 in A+	20	34.75	17.25	17.75	20	22.75	Chrome
1496354	20 in A+	20	34.75	17.25	17.75	20	22.75	Black
1496355	18 in A+	18	33.5	17.25	17.75	19.5	21.5	Chrome
1496356	18 in A+	18	33.5	17.25	17.75	19.5	21.5	Black
1496357	18 in	18	32	16	16.5	19.5	21.5	Chrome
1496358	18 in	18	32	16	16.5	19.5	21.5	Black
1496359	16 in	16	27.5	14	14.5	17.5	19.5	Chrome
1496360	16 in	16	27.5	14	14.5	17.5	19.5	Black
1496361	14 in	14	25.5	12.25	12.75	16.5	16.5	Chrome
1496362	14 in	14	25.5	12.25	12.75	16.5	16.5	Black

## FINISH

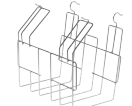
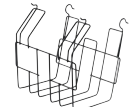


### SEAT COLORS



### FRAME COLORS



## ACCESSORIES

MODEL	ITEM NUMBER	IMAGE
Chrome Wire Book Basket *Only available for 20 A+, 18 A+, and 18	1362136	
Black Wire Book Basket *Only available for 20 A+, 18 A+, and 18	1441266	
Adjustable Height Chair Dolly	1496629	
Snap on Felt Glides	1481097	



PRODUCT CERTIFIED  
FOR LOW CHEMICAL  
EMISSIONS:  
UL COM/IGG  
UL 2818