

Classroom Select® Mobile Shaped Tables without Seating

Elliptical with Black Frame



Rectangle with Chrome Frame



Classroom Select® Mobile Shaped Tables without Seating offers setup made simple. This “roll and unfold” mobile table serves up the sturdiness of a high-pressure tabletop with the convenience of fold-in-half storage and portability. Great for the shifting needs of Grade K-12 cafeterias and study rooms to banquets, school fairs and beyond, this ADA-compliant table moves smoothly across any room on non-marking locking rubber wheels and is ready to set up (or stow away) in seconds. Choose from several options for the laminate tabletop and T-Mold to suit any aesthetic, and pull up any traditional or flexible seating preference.



FEATURES

- Folding mobile cafeteria table without attached seating
- Generous ¾" gap between tops to prevent pinching
- 8' / 10' / 12' rectangular tables feature an exclusive torsion bar easy-lift system, providing smooth and easy open and closing every step of the way
- Two-stage security lock secures table in fully open and midway open positions for floor maintenance, cleaning and to prevent hand or finger pinching
- Tamper-resistant lock nuts on all down lock assemblies include a self-adjusting hinge lock to ensure the down lock engages every time
- Units feature a new wider storage lock catch with vertical adjustment that ensures the table always locks safely into the folded position
- Storage latch includes release levers on either side to enable unlocking without the need to reach in
- The storage latch locks automatically in the up-right storage position
- Table tops are constructed of high pressure laminate bonded to a ¾" core
- Choose from furniture grade particleboard core with T-Mold edge, MDF core with LockEdge or plywood core with either LockEdge or T-Mold edge band
- Your choice of any of our exciting assortment of laminate colors including, woodgrains, patterns, and solid colors
- Black T-Mold edgeband laminate top features a ¾" thick particleboard or plywood core with a high pressure laminate surface and phenolic backer sheet to minimize warping
- Black LockEdge® laminate top feature a ¾" MDF or plywood core and sealed with a polyurethane edge that offers easier cleaning and added durability
- Easy to clean laminate tops with soap, water, and an optional diluted bleach solution
- 29" standard height. Additional height of 27" is available as well as wheelchair positions
- Ships fully assembled

SPECIFICATIONS

CONSTRUCTION

- 14-gauge steel under-structure and legs are available in textured powder coated black and chrome options
- High pressure laminate is made up of a wear-resistant overlay, that is impact-resistant
- High pressure laminate offers long-lasting function and performance
- Vinyl T-Mold edge banding is secured using a spot-nail from the bottom to prevent it from pulling away from the edge
- LockEdge® polyurethane coating is sprayed directly on to edge surfaces, creating a permanent seal that is impervious to bacteria and moisture for easier maintenance and long-lasting durability
- Tamper-resistant lock nuts on all down lock assemblies include a self-adjusting hinge lock to ensure the down lock engages every time
- Tamper-resistant table top/bench top and serrated Hex-head screws and thick Type A threading provide superior holding power to frame and can be serviced easily in the field
- Table tops with 14-gauge aprons for additional strength

CASTERS

- 4" heavy duty double ball bearing swivel caster is non-marring, durable, and makes opening and folding tables a snap
- The weight capacity for each is 300 lbs
- Tamper-proof nylon steel insert glides and tube closures will not break or fall apart

MODELS

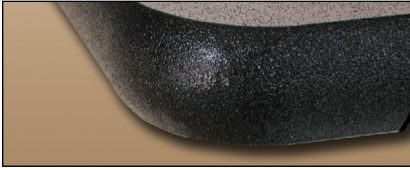
ITEM NUMBER	TOP TYPE	EDGE TYPE	SIZED OPEN LXWXH (IN)	SIZED FOLDED LXWXH (IN)	10 TABLES NESTED LXWXH (IN)	SEATING CAPACITY
8' Rectangle						
1441016	ParticleBoard	T-Mold	8'1 x 30 x 29	30 x 30 x 60	30 x 300 x 60	8
1441017	MDF	LockEdge®	8'1 x 30 x 29	30 x 30 x 60	30 x 300 x 60	8
1441018	Plywood	T-Mold	8'1 x 30 x 29	30 x 30 x 60	30 x 300 x 60	8
1441019	Plywood	LockEdge®	8'1 x 30 x 29	30 x 30 x 60	30 x 300 x 60	8
1441020	ParticleBoard	T-Mold	8'1 x 30 x 29	30 x 30 x 60	30 x 300 x 60	8
1441021	MDF	LockEdge®	8'1 x 30 x 29	30 x 30 x 60	30 x 300 x 60	8
1441022	Plywood	T-Mold	8'1 x 30 x 29	30 x 30 x 60	30 x 300 x 60	8
1441023	Plywood	LockEdge®	8'1 x 30 x 29	30 x 30 x 60	30 x 300 x 60	8
10' Rectangle						
1441024	ParticleBoard	T-Mold	10'1 x 30 x 29	31 x 30 x 68	31 x 310 x 68	10-12
1441025	MDF	LockEdge®	10'1 x 30 x 29	31 x 30 x 68	31 x 310 x 68	10-12
1441026	Plywood	T-Mold	10'1 x 30 x 29	31 x 30 x 68	31 x 310 x 68	10-12
1441027	Plywood	LockEdge®	10'1 x 30 x 29	31 x 30 x 68	31 x 310 x 68	10-12
1441028	ParticleBoard	T-Mold	10'1 x 30 x 29	31 x 30 x 68	31 x 310 x 68	10-12
1441029	MDF	LockEdge®	10'1 x 30 x 29	31 x 30 x 68	31 x 310 x 68	10-12
1441030	Plywood	T-Mold	10'1 x 30 x 29	31 x 30 x 68	31 x 310 x 68	10-12
1441031	Plywood	LockEdge®	10'1 x 30 x 29	31 x 30 x 68	31 x 310 x 68	10-12

MODELS

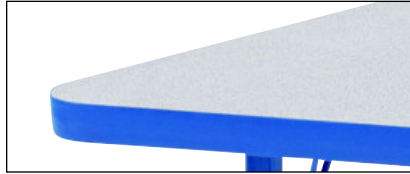
ITEM NUMBER	TOP TYPE	EDGE TYPE	SIZED OPEN LXWXH (IN)	SIZED FOLDED LXWXH (IN)	10 TABLES NESTED LXWXH (IN)	SEATING CAPACITY
12' Rectangle						
1441032	ParticleBoard	T-Mold	12'1 x 30 x 29	32 x 30 x 81¼	32 x 320 x 81¼	12-16
1441033	MDF	LockEdge®	12'1 x 30 x 29	32 x 30 x 81¼	32 x 320 x 81¼	12-16
1441034	Plywood	T-Mold	12'1 x 30 x 29	32 x 30 x 81¼	32 x 320 x 81¼	12-16
1441035	Plywood	LockEdge®	12'1 x 30 x 29	32 x 30 x 81¼	32 x 320 x 81¼	12-16
1441036	ParticleBoard	T-Mold	12'1 x 30 x 29	32 x 30 x 81¼	32 x 320 x 81¼	12-16
1441037	MDF	LockEdge®	12'1 x 30 x 29	32 x 30 x 81¼	32 x 320 x 81¼	12-16
1441038	Plywood	T-Mold	12'1 x 30 x 29	32 x 30 x 81¼	32 x 320 x 81¼	12-16
1441039	Plywood	LockEdge®	12'1 x 30 x 29	32 x 30 x 81¼	32 x 320 x 81¼	12-16

MODELS

ITEM NUMBER	TOP TYPE	EDGE TYPE	SIZE OPENED LXWXH	SIZED FOLDED LXWXH	10 TABLES NESTED LXWXH	SEATING CAPACITY
120x45" Elliptical						
5002884	Particleboard	T-Mold	120 x 45 x 29	34 x 73½ x 73½	34 x 310 x 68	12
5002885	MDF	LockEdge®	120 x 45 x 29	34 x 73½ x 73½	34 x 310 x 68	12
5002886	Plywood	T-Mold	120 x 45 x 29	34 x 73½ x 73½	34 x 310 x 68	12
5002887	Plywood	LockEdge®	120 x 45 x 29	34 x 73½ x 73½	34 x 310 x 68	12
5002888	Particleboard	T-Mold	120 x 45 x 29	34 x 73½ x 73½	34 x 310 x 68	12
5002889	MDF	LockEdge®	120 x 45 x 29	34 x 73½ x 73½	34 x 310 x 68	12
5002890	Plywood	T-Mold	120 x 45 x 29	34 x 73½ x 73½	34 x 310 x 68	12
5002891	Plywood	LockEdge®	120 x 45 x 29	34 x 73½ x 73½	34 x 310 x 68	12



Extra-durable LockEdge® coating is sprayed on, creating a permanent seal that is impervious to bacteria and moisture



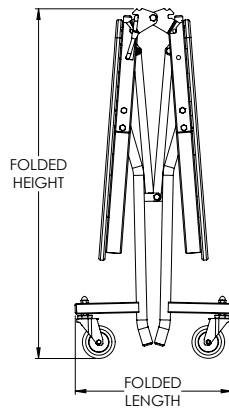
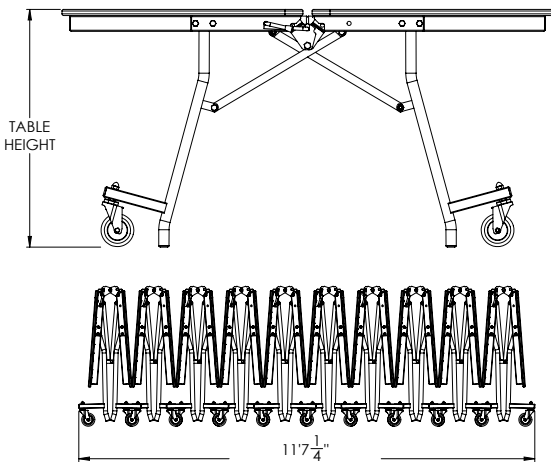
T-Mold Edge Band is spot-nailed to prevent it from pulling away from the edge



Locks in Partially Folded Position for Easy Cleaning



Storage Latch Release Levers on Either Side for Easy Access



FINISH OPTIONS

LAMINATE



LOCKEDGE® COLORS



T-MOLD COLORS



FRAME COLORS



TABLE CORE OPTIONS



PRODUCT CERTIFIED
FOR LOW CHEMICAL
EMISSIONS:
UL.COM/GG
UL 2818