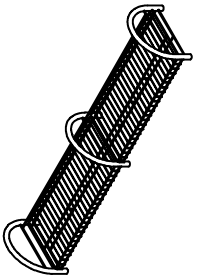
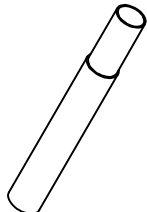
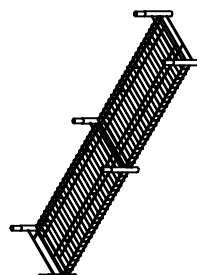
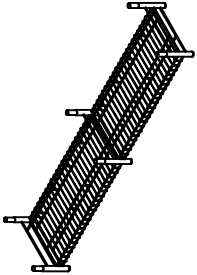
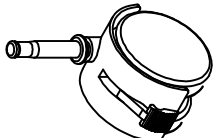
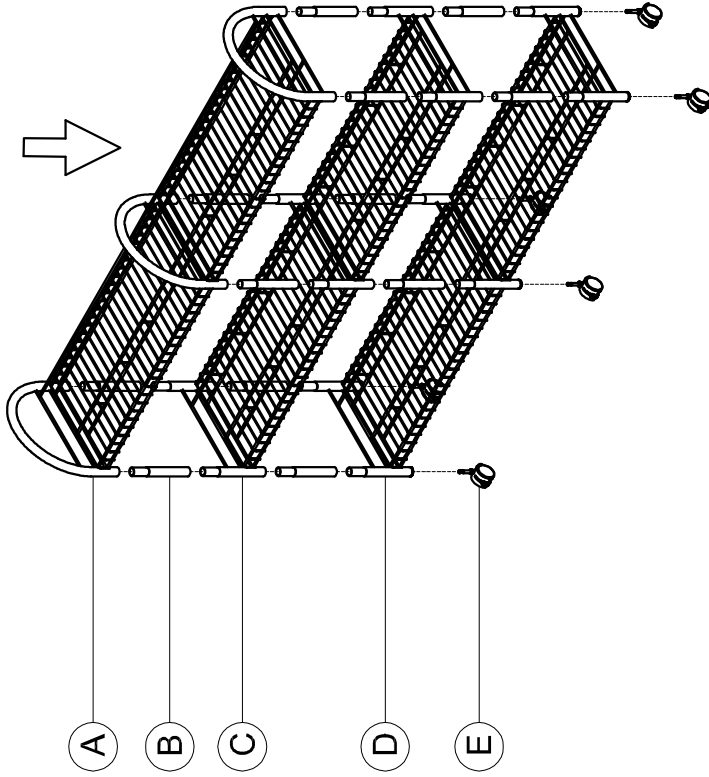


**SCHOOL
SMART**

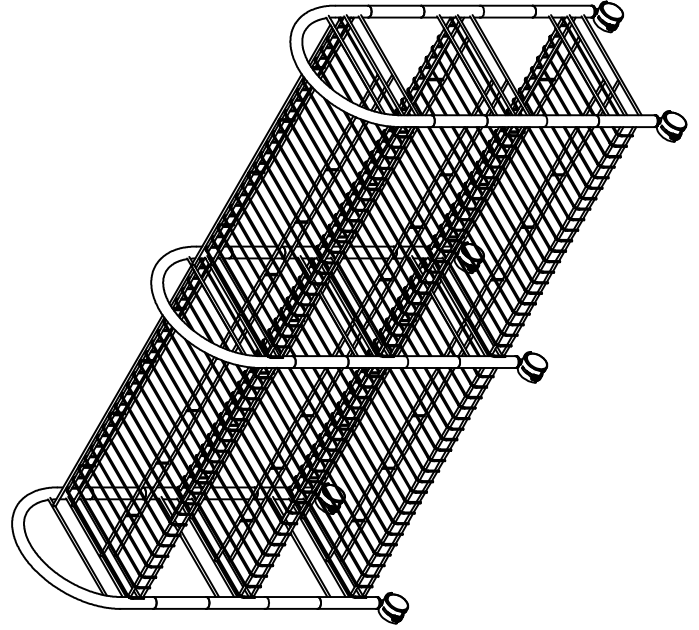
LIBRARY MOBILE CART

ITEM# 2002900

No.	Part	Pcs
A		1
B		12
C		1
D		1
E		6



1



2