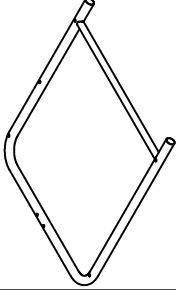
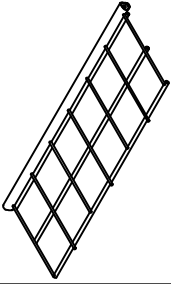
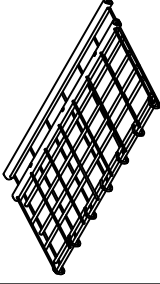
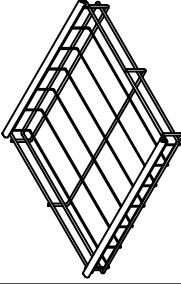
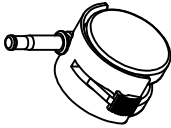
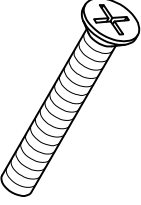
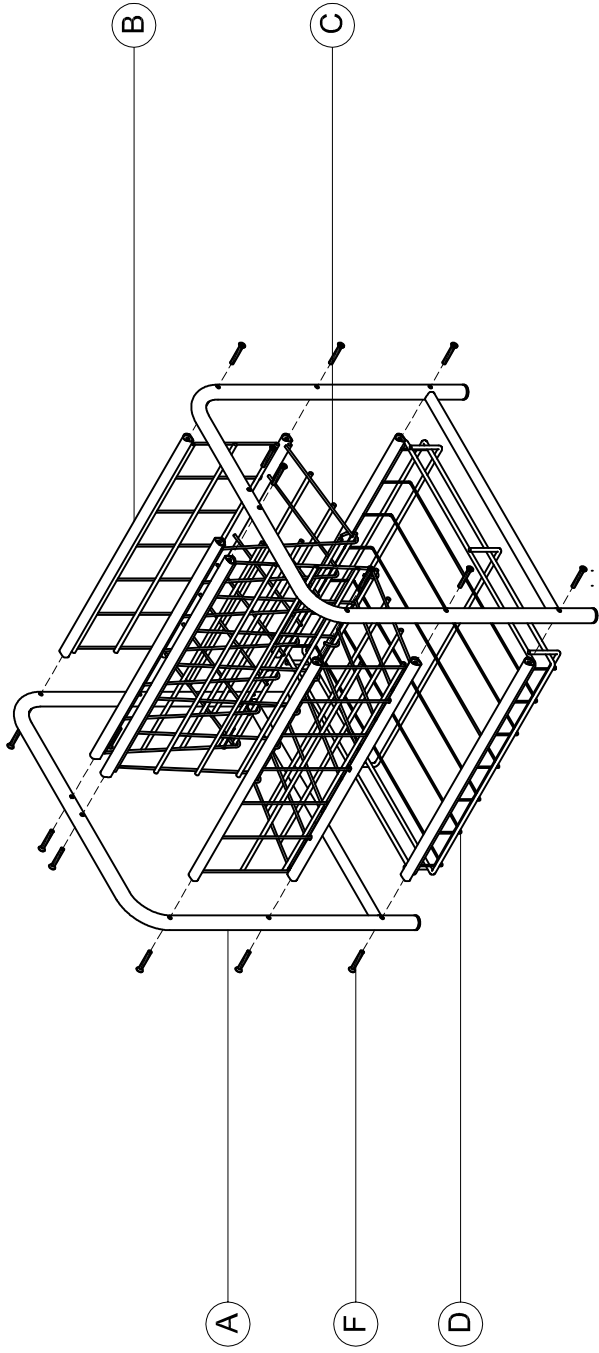
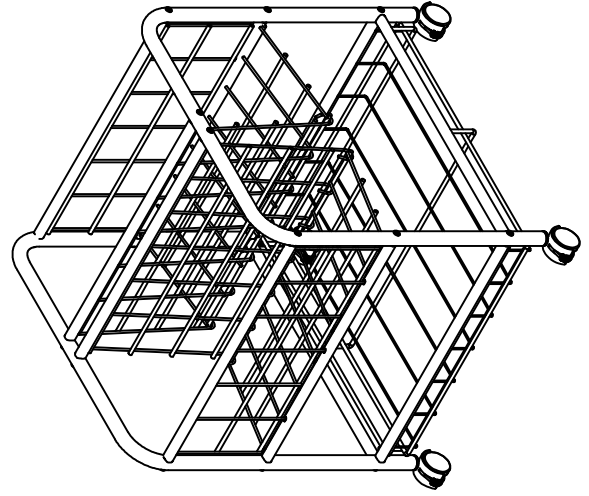


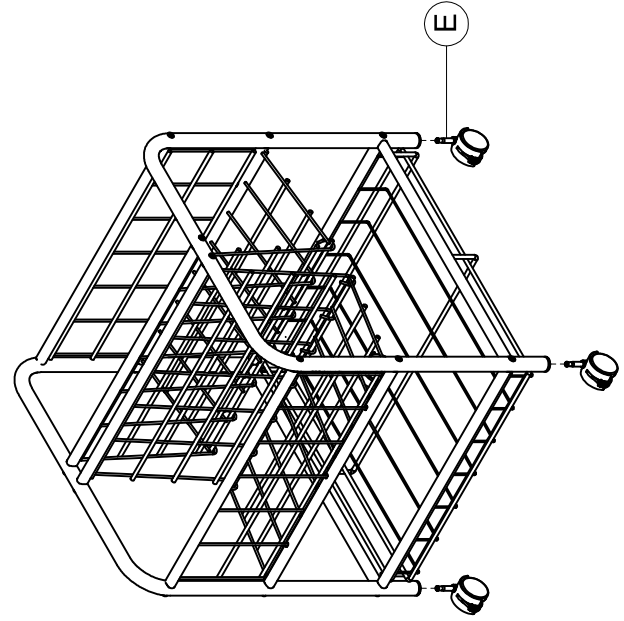
No.	Part	Pcs
A		2
B		2
C		2
D		1
E		4
F		16



1



3



2