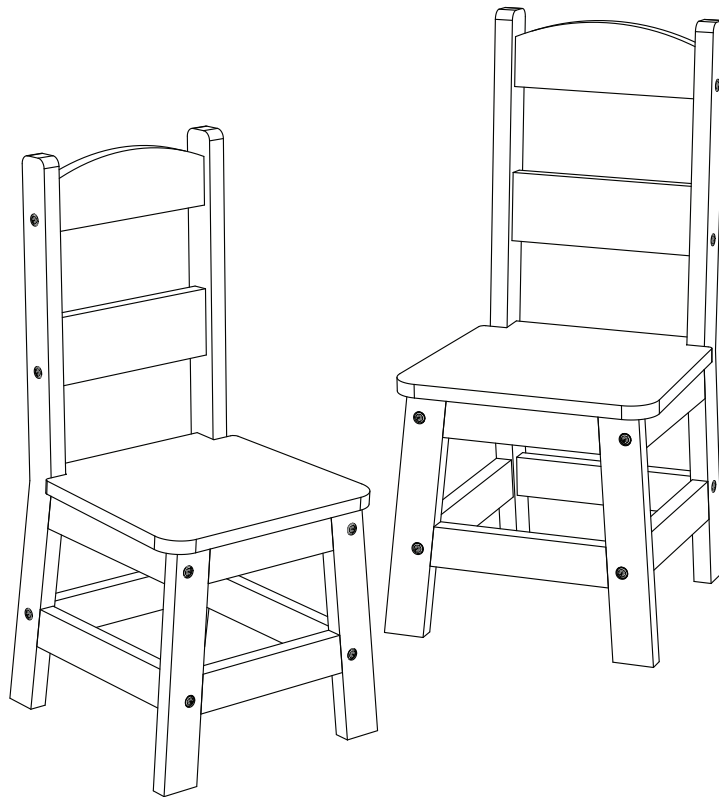




Wooden Chair Pair

ASSEMBLY INSTRUCTIONS

Put Together
in Just 5
Simple Steps!



Have a
question
or need help?
Give us a call!
1-800-284-3948

Item # 8789

We care about your comments. Please call us!

Melissa & Doug
1-800-284-3948
www.MelissaAndDoug.com

Melissa & Doug products meet or exceed U.S. testing standards and pass our high quality requirements.

© Melissa & Doug, LLC, P.O. Box 590, Westport, CT 06881

MADE IN CHINA

⚠ WARNING:
CHOKING HAZARD - Small Parts.
Not for children under 3 years.

⚠ CAUTION:
ADULT ASSEMBLY REQUIRED.

Ages 3+

THANK YOU!

Thank you for choosing the Melissa & Doug Wooden Chair Pair! These sturdy chairs are perfect for playrooms or bedrooms and are a terrific way to give kids a place of their own where creativity and imagination grow.

NOW IT'S TIME TO PUT IT TOGETHER!

Don't worry, assembling your new chairs is simple, and we're here to help. Here are a few tips before you begin:

- Read through all the instructions first.
- Clear a flat, covered space (carpeted is best) to lay out all the materials so everything is close at hand.
- You will need a Phillips head screwdriver (not included) to assemble the chairs. We've included everything you need to assemble the chairs. All parts are labeled with a sticker (C-L).
- The instructions include lots of helpful pictures—we show you, step-by-step, exactly how to align pieces and parts for speedy and accurate assembly. Note that hardware needed for each step is shown in the upper right corner of the page, each piece being added in a given step is highlighted in gray, and the “assembled view” (what it looks like in the finished product when the step is completed) is included in the lower right corner of every page.
- In the instructions, the name of a part is followed by a letter or number in parentheses. This letter or number corresponds to the sticker on the part, as well as the picture of the part shown on pages 2.
- Helpful hints are highlighted with a large exclamation point.



IMPORTANT: Helpful hints are found here.

- If you have any questions, we're here for you! Give our customer service team a call at 1-800-284-3948!
-

WARNINGS!

Retain these instructions for future reference.

- Chairs hold up to 150 pounds (68 kilograms).
 - Do not allow children to stand on any part of the chairs.
 - Never place computers, televisions, or other heavy objects on top of the chairs.
 - The chairs must be placed on a hard, flat, and level surface.
 - The chairs must be assembled as instructed.
-

MAINTENANCE:

Ensure the chairs continue to function properly and safely by regularly checking the hardware and tightening when necessary.

PARTS - Be Smart—Sort Your Parts

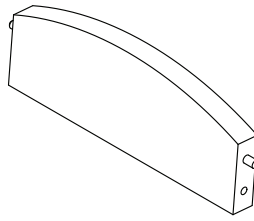
NOTE: Parts are for one chair. There are no parts labeled A or B in this set.



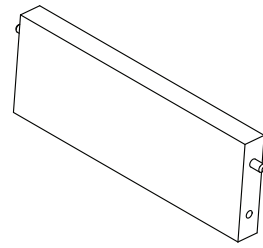
C left side frame



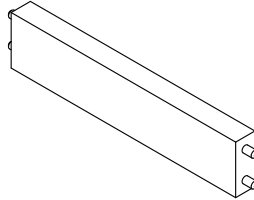
H right side frame



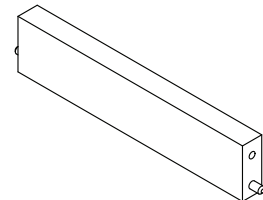
D top back slat



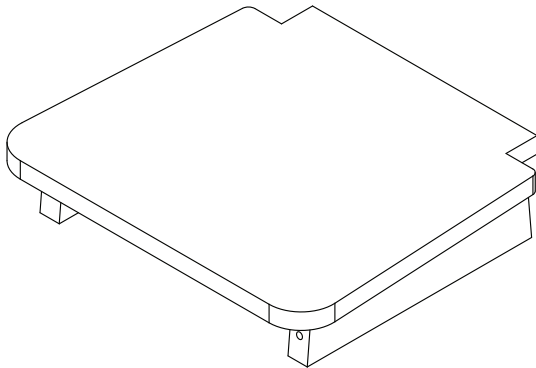
E second back slat



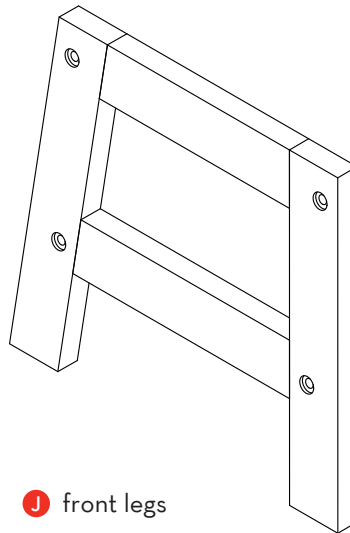
F third back slat



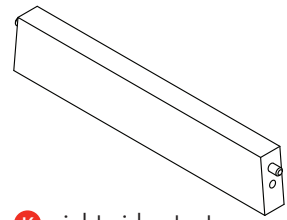
G bottom back slat



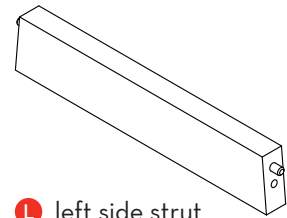
I seat



J front legs

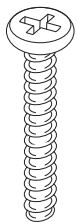


K right side strut

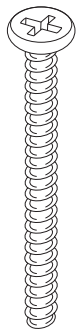


L left side strut

METAL COMPONENTS



1 short bolts (20)



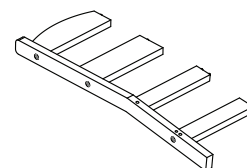
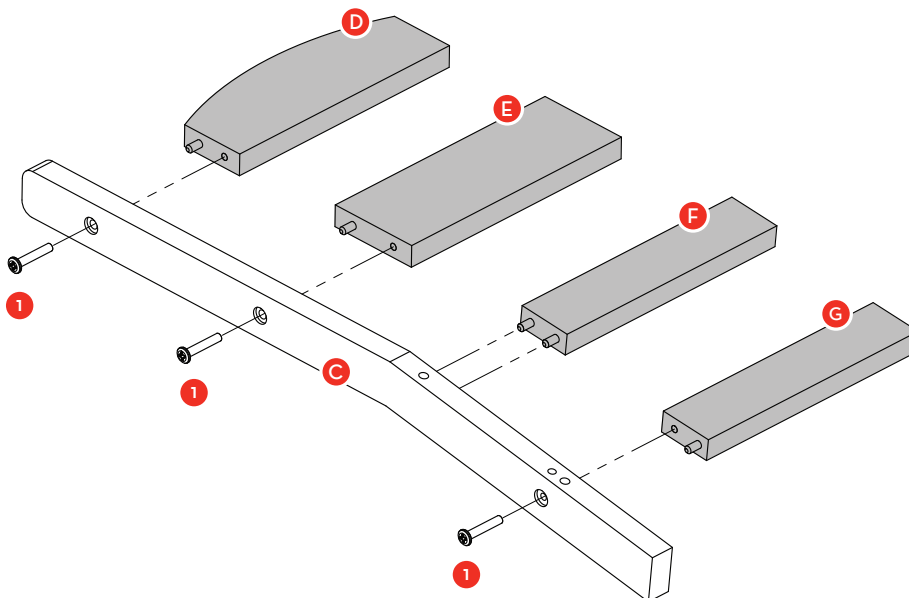
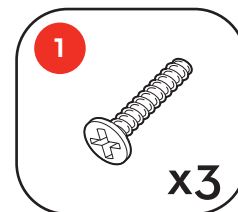
2 long bolts (8)



IMPORTANT: Some packages of hardware may have extra pieces.

STEP 1 - Every Journey Begins with the First Step

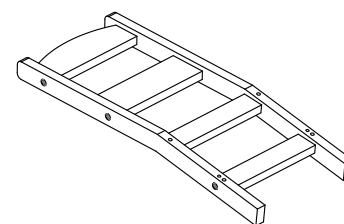
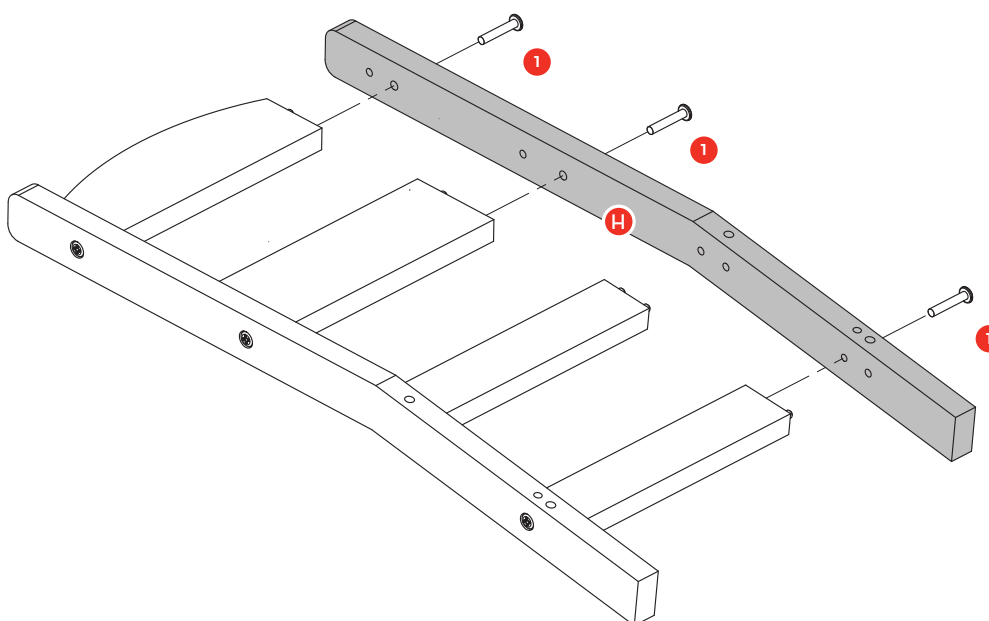
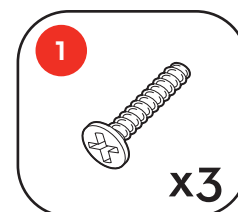
Arrange back slats (parts D, E, F and G) to the right of the left side frame (part C). Attach parts D, E, and G with one short bolt (part 1) in each, and rest part F in the slots with the dowels.



Assembled View

STEP 2 - Side by Side

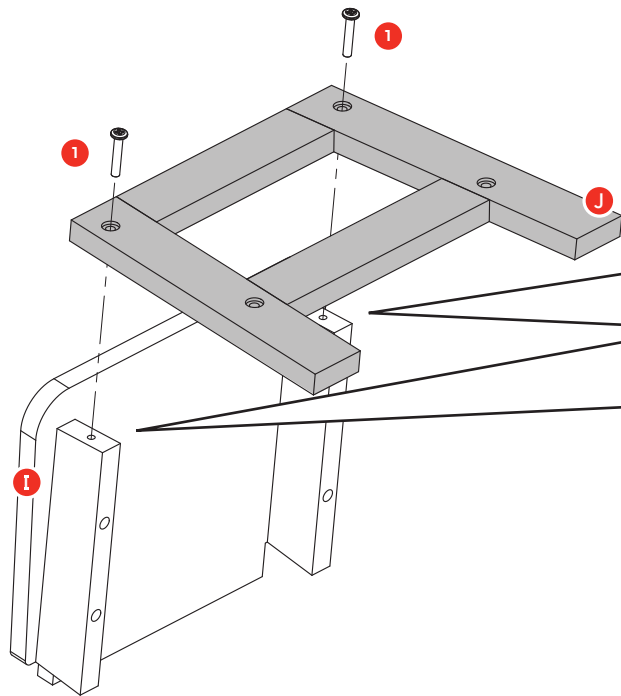
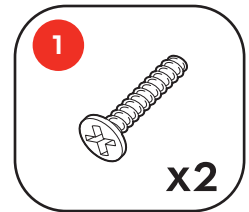
Use 3 short bolts (part 1) to attach right side frame (part H).



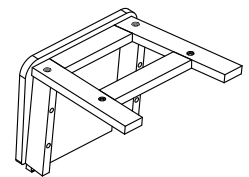
Assembled View

STEP 3 - Get a Leg Up

Using 2 short bolts (part 1), attach front legs (part J) to the front of the seat (part I), under the rounded corners.



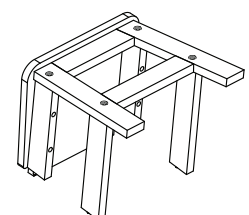
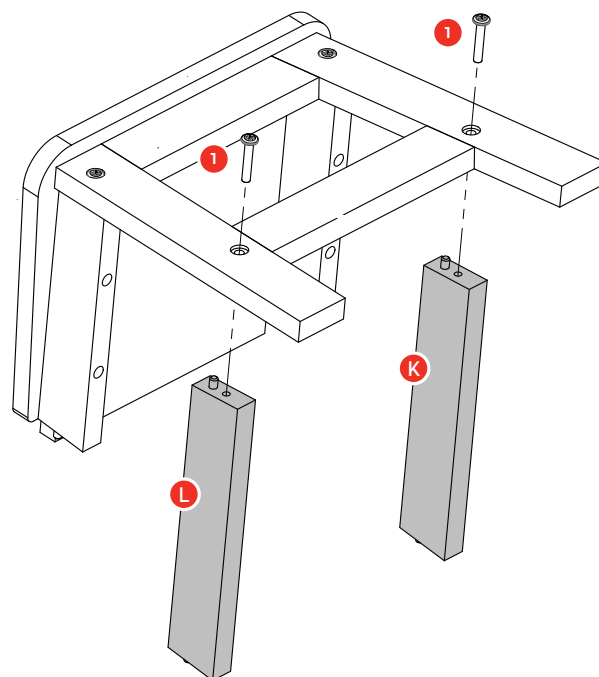
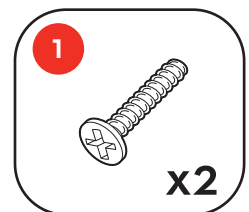
!
IMPORTANT: Be sure to attach front legs to the ends of the braces under the rounded corners of the seat.



Assembled View

STEP 4 - Strut Your Stuff

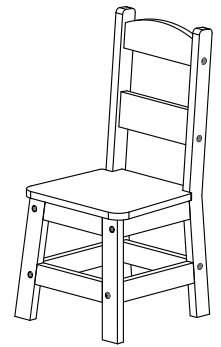
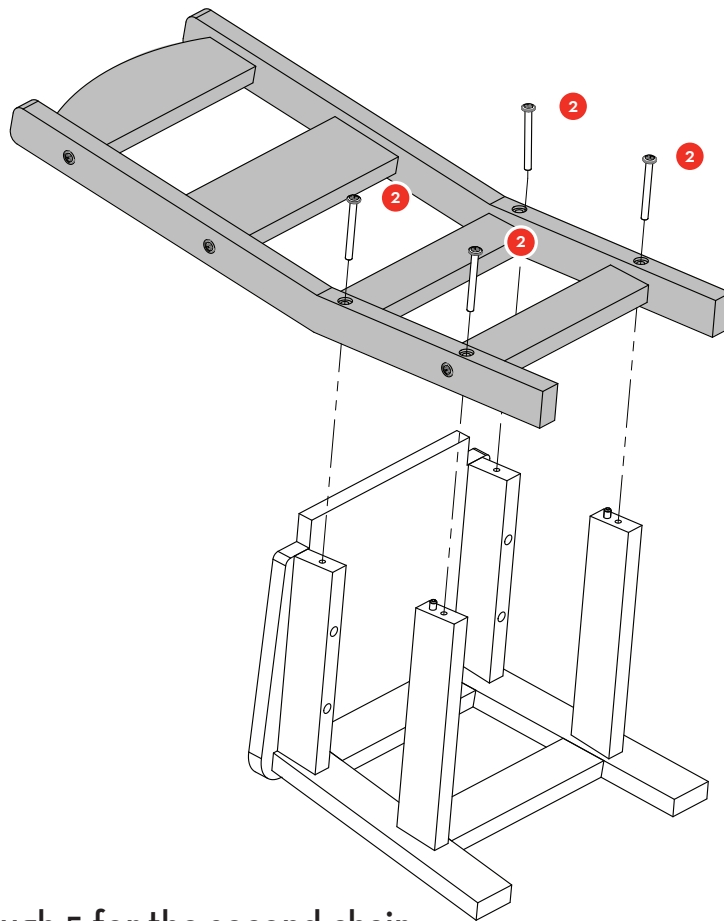
Using 2 short bolts (part 1) attach the right and left struts (parts K and L) to the front legs.



Assembled View

STEP 5 - Put Your Back Into It

Using 4 long bolts (part 2) attach the completed back from Step 2 to the back of the seat and the struts.



Assembled View

Repeat steps 1 through 5 for the second chair.

YOU DID IT!

Now the real fun begins—it's time to sit back and relax in these kid-sized, classically styled, sturdy wooden chairs!

ACCESSORIZE

The Melissa & Doug Wooden Chair Pair is designed to be a perfect addition to the Melissa & Doug Wooden Table & Chairs Set (#2427)! Sized just right for kids three to eight years old, the sturdy wooden table and two chairs coordinate with the chair pair to make a complete place setting for four. To find this item and more, visit us at MelissaAndDoug.com!